

CONNETTORE MASCHIO 4 Vie

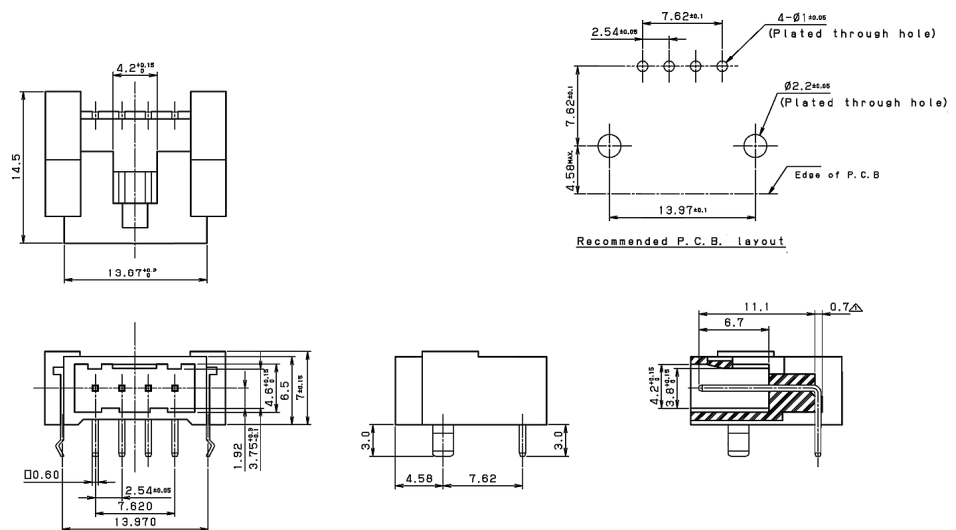
E' un connettore maschio a 4 vie (con passo 2.54mm) per montaggio su CS.

E' abbinabile con connettori femmina del tipo IDC a crimpare (applicabile a fili con diametro 0.4 ÷ 0.65mm)

4 Way MALE CONNECTOR

It's a 4-way male connector (2.54mm pitch) for PCB mounting.

It's combined with a female connectors IDC connectors (applicable to wires with diameter 0.4 ÷ 0.65mm)



Caratteristiche Elettriche Electric Performance

Items	Standard Value
Current rating	2A
Rated voltage	AC 250V
Insulation resistance	Min. 100MΩ at DC 500V
Contact resistance	Max. 30mΩ at DC 100mA
Withstanding voltage	Min. 1 minute at AC 750Vr.m.s.

Materiali e Finitura Material & Finish

Parts	Materials	Finish
Plug	Insulator	Polyamide resin black, blue UL94V-0
	Contact	Copper alloy Solder plating
Receptacle	Insulator	PBT resin black, blue UL94V-0
	Contact	Copper alloy Solder plating
	Metal plate	Copper alloy Solder plating

Codice Prodotto **1931011**

Product Code **1931011**

NOTE

In accordo con la Normativa RoHS.

NOTE

RoHS compliant.